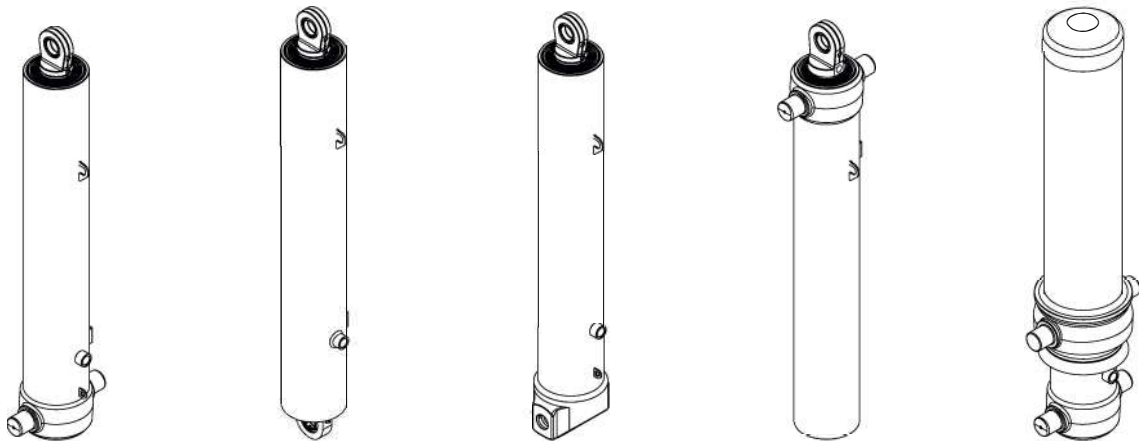




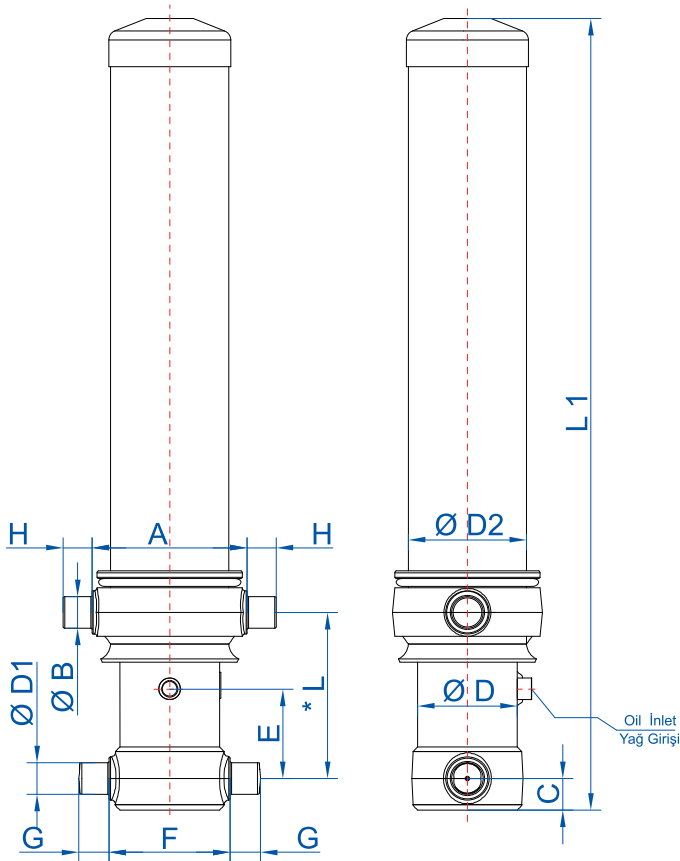
| SAMPLE CODING SCHEMA | | | | |
|----------------------|-----------------|--------------------|-------------------------|----------------|
| CYLINDER TYPE | NUMBER OF STAGE | TOTAL STROKE | FIRST STAGE DIAMETER | MOUNTING TYPE |
| LFT | 4 | 3980 | 155 | KR |
| FRONT LIFTING | 7-6-5-4-3-2 | REFER TO THE TABLE | 230-205-180-155-135-115 | KR-BR-RR-RK-KK |

CYLINDER MOUNTING TYPES



| | | | | |
|--------|--------|--------|--------|--------|
| KR (1) | RR (2) | BR (3) | RK (4) | KK (5) |
|--------|--------|--------|--------|--------|

KK TYPE TELESCOPIC CYLINDER



| ROD DIAMETER (mm) | THRUST FORCE (Ton) |
|-------------------|--------------------|
| Ø230 | 79 |
| Ø205 | 62,7 |
| Ø180 | 48,3 |
| Ø155 | 35,8 |
| Ø135 | 27,2 |
| Ø115 | 19,7 |
| Ø95 | 13,4 |
| Ø75 | 8,3 |
| Ø55 | 4,5 |

- Çalışma Basıncı / Working Pressure : 190 Bar
- Maksimum Çalışma Basıncı / Maximum Working Pressure : 200 Bar
- Renk / Paint : Ral 9005
- Tüm kademeler sert krom kaplıdır / All stages are hard-chrome plated.
- Silindir boruları EN 10305-1 e göre soğuk çekme St-52 E355+SR sertifikalıdır / All cylinder tubes are St-52 E355+SR cold drawn steel tube according to EN 10305-1 norm
- Tüm bağlantı parçaları dövme çeliktendir / All connection parts are forging steel

* MONTAJ BOYU / INSTALLATION LENGTH L(+20 mm / +40 mm)

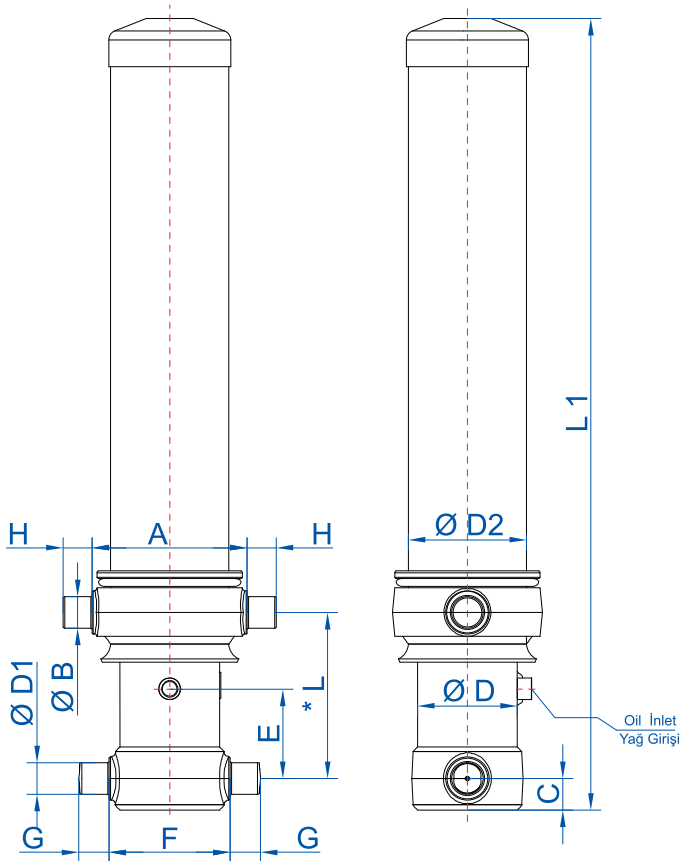
| PRODUCT CODE | A | ØB | C | ØD | ØD1 | ØD2 | E | F | G | H | L | L1 | OIL INLET | OIL VOLUME (LT) | WEIGHT (KG) |
|---------------------|-----|----|----|-----|-----|-----|-----|-----|----|----|-----|------|-----------|-----------------|-------------|
| LFT-3.135.2685.KK.1 | 255 | 65 | 55 | 156 | 65 | 194 | 180 | 193 | 60 | 60 | 343 | 1285 | R 3/4" | 34 | 203 |
| LFT-3.135.2835.KK.1 | 255 | 65 | 55 | 156 | 65 | 194 | 180 | 193 | 60 | 60 | 343 | 1335 | R 3/4" | 36 | 208 |
| LFT-3.135.2985.KK.1 | 255 | 65 | 55 | 156 | 65 | 194 | 180 | 193 | 60 | 60 | 343 | 1385 | R 3/4" | 38 | 211 |
| LFT-3.135.3135.KK.1 | 255 | 65 | 55 | 156 | 65 | 194 | 180 | 193 | 60 | 60 | 343 | 1435 | R 3/4" | 40 | 223 |
| LFT-3.135.3285.KK.1 | 255 | 65 | 55 | 156 | 65 | 194 | 180 | 193 | 60 | 60 | 343 | 1485 | R 3/4" | 42 | 230 |
| LFT-3.135.3435.KK.1 | 255 | 65 | 55 | 156 | 65 | 194 | 180 | 193 | 60 | 60 | 343 | 1535 | R 3/4" | 44 | 237 |
| LFT-3.135.3585.KK.1 | 255 | 65 | 55 | 156 | 65 | 194 | 180 | 193 | 60 | 60 | 343 | 1585 | R 3/4" | 46 | 245 |
| LFT-3.135.3735.KK.1 | 255 | 65 | 55 | 156 | 65 | 194 | 180 | 193 | 60 | 60 | 343 | 1635 | R 3/4" | 47 | 253 |
| LFT-3.135.3825.KK.1 | 255 | 65 | 55 | 156 | 65 | 194 | 180 | 193 | 60 | 60 | 343 | 1685 | R 3/4" | 49 | 260 |
| LFT-3.135.3900.KK.1 | 255 | 65 | 55 | 156 | 65 | 194 | 180 | 193 | 60 | 60 | 343 | 1735 | R 3/4" | 50 | 266 |
| LFT-3.135.4050.KK.1 | 255 | 65 | 55 | 156 | 65 | 194 | 180 | 193 | 60 | 60 | 343 | 1785 | R 3/4" | 52 | 278 |
| LFT-3.135.4200.KK.1 | 255 | 65 | 55 | 156 | 65 | 194 | 180 | 193 | 60 | 60 | 343 | 1835 | R 3/4" | 54 | 285 |
| LFT-3.135.4350.KK.1 | 255 | 65 | 55 | 156 | 65 | 194 | 180 | 193 | 60 | 60 | 343 | 1885 | R 3/4" | 55 | 293 |
| LFT-4.135.3180.KK.1 | 255 | 65 | 55 | 156 | 65 | 194 | 180 | 193 | 60 | 60 | 343 | 1185 | R 3/4" | 35 | 197 |
| LFT-4.135.3380.KK.1 | 255 | 65 | 55 | 156 | 65 | 194 | 180 | 193 | 60 | 60 | 343 | 1235 | R 3/4" | 37 | 205 |

KK TYPE TELESCOPIC CYLINDER



| PRODUCT CODE | A | ØB | C | ØD | ØD1 | ØD2 | E | F | G | H | L | L1 | OIL INLET | OIL VOLUME (LT) | WEIGHT (KG) |
|---------------------|-----|----|----|-----|-----|-----|-----|-----|----|----|-----|------|-----------|-----------------|-------------|
| LFT-4.135.3580.KK.1 | 255 | 65 | 55 | 156 | 65 | 194 | 180 | 193 | 60 | 60 | 343 | 1285 | R 3/4" | 39 | 213 |
| LFT-4.135.3780.KK.1 | 255 | 65 | 55 | 156 | 65 | 194 | 180 | 193 | 60 | 60 | 343 | 1335 | R 3/4" | 41 | 220 |
| LFT-4.135.3980.KK.1 | 255 | 65 | 55 | 156 | 65 | 194 | 180 | 193 | 60 | 60 | 343 | 1385 | R 3/4" | 43 | 337 |
| LFT-4.135.4180.KK.1 | 255 | 65 | 55 | 156 | 65 | 194 | 180 | 193 | 60 | 60 | 343 | 1435 | R 3/4" | 46 | 236 |
| LFT-4.135.4380.KK.1 | 255 | 65 | 55 | 156 | 65 | 194 | 180 | 193 | 60 | 60 | 343 | 1485 | R 3/4" | 48 | 243 |
| LFT-4.135.4580.KK.1 | 255 | 65 | 55 | 156 | 65 | 194 | 180 | 193 | 60 | 60 | 343 | 1535 | R 3/4" | 50 | 250 |
| LFT-4.135.4780.KK.1 | 255 | 65 | 55 | 156 | 65 | 194 | 180 | 193 | 60 | 60 | 343 | 1585 | R 3/4" | 52 | 260 |
| LFT-4.155.3580.KK.1 | 290 | 65 | 65 | 181 | 65 | 246 | 180 | 215 | 60 | 60 | 343 | 1285 | R 1 " | 54 | 261 |
| LFT-4.155.3780.KK.1 | 290 | 65 | 65 | 181 | 65 | 246 | 180 | 215 | 60 | 60 | 343 | 1335 | R 1 " | 57 | 273 |
| LFT-4.155.3980.KK.1 | 290 | 65 | 65 | 181 | 65 | 246 | 180 | 215 | 60 | 60 | 343 | 1385 | R 1 " | 60 | 281 |
| LFT-4.155.4180.KK.1 | 290 | 65 | 65 | 181 | 65 | 246 | 180 | 215 | 60 | 60 | 343 | 1435 | R 1 " | 63 | 290 |
| LFT-4.155.4380.KK.1 | 290 | 65 | 65 | 181 | 65 | 246 | 180 | 215 | 60 | 60 | 343 | 1485 | R 1 " | 66 | 299 |
| LFT-4.155.4580.KK.1 | 290 | 65 | 65 | 181 | 65 | 246 | 180 | 215 | 60 | 60 | 343 | 1535 | R 1 " | 69 | 311 |
| LFT-4.155.4780.KK.1 | 290 | 65 | 65 | 181 | 65 | 246 | 180 | 215 | 60 | 60 | 343 | 1585 | R 1 " | 72 | 319 |
| LFT-4.155.4980.KK.1 | 290 | 65 | 65 | 181 | 65 | 246 | 180 | 215 | 60 | 60 | 343 | 1635 | R 1 " | 75 | 329 |
| LFT-4.155.5100.KK.1 | 290 | 65 | 65 | 181 | 65 | 246 | 180 | 215 | 60 | 60 | 343 | 1685 | R 1 " | 77 | 338 |
| LFT-4.155.5200.KK.1 | 290 | 65 | 65 | 181 | 65 | 246 | 180 | 215 | 60 | 60 | 343 | 1735 | R 1 " | 78 | 348 |
| LFT-4.155.5400.KK.1 | 290 | 65 | 65 | 181 | 65 | 246 | 180 | 215 | 60 | 60 | 343 | 1785 | R 1 " | 81 | 358 |
| LFT-4.155.5600.KK.1 | 290 | 65 | 65 | 181 | 65 | 246 | 180 | 215 | 60 | 60 | 343 | 1835 | R 1 " | 84 | 365 |
| LFT-4.155.5800.KK.1 | 290 | 65 | 65 | 181 | 65 | 246 | 180 | 215 | 60 | 60 | 343 | 1885 | R 1 " | 87 | 376 |
| LFT-4.155.5225.KK.1 | 290 | 65 | 65 | 181 | 65 | 246 | 180 | 215 | 60 | 60 | 343 | 1435 | R 1 " | 69 | 302 |
| LFT-4.155.5475.KK.1 | 290 | 65 | 65 | 181 | 65 | 246 | 180 | 215 | 60 | 60 | 343 | 1485 | R 1 " | 72 | 317 |
| LFT-4.155.5725.KK.1 | 290 | 65 | 65 | 181 | 65 | 246 | 180 | 215 | 60 | 60 | 343 | 1535 | R 1 " | 75 | 326 |
| LFT-4.180.4180.KK.1 | 320 | 65 | 70 | 206 | 65 | 246 | 180 | 240 | 60 | 60 | 343 | 1435 | R 1 " | 85 | 302 |
| LFT-4.180.4380.KK.1 | 320 | 65 | 70 | 206 | 65 | 246 | 180 | 240 | 60 | 60 | 343 | 1485 | R 1 " | 89 | 344 |
| LFT-4.180.4580.KK.1 | 320 | 65 | 70 | 206 | 65 | 246 | 180 | 240 | 60 | 60 | 343 | 1535 | R 1 " | 93 | 355 |
| LFT-4.180.4780.KK.1 | 320 | 65 | 70 | 206 | 65 | 246 | 180 | 240 | 60 | 60 | 343 | 1585 | R 1 " | 97 | 366 |
| LFT-4.180.4980.KK.1 | 320 | 65 | 70 | 206 | 65 | 246 | 180 | 240 | 60 | 60 | 343 | 1635 | R 1 " | 101 | 375 |
| LFT-4.180.5100.KK.1 | 320 | 65 | 70 | 206 | 65 | 246 | 180 | 240 | 60 | 60 | 343 | 1685 | R 1 " | 103 | 384 |
| LFT-4.180.5200.KK.1 | 320 | 65 | 70 | 206 | 65 | 246 | 180 | 240 | 60 | 60 | 343 | 1735 | R 1 " | 105 | 396 |
| LFT-4.180.5400.KK.1 | 320 | 65 | 70 | 206 | 65 | 246 | 180 | 240 | 60 | 60 | 343 | 1785 | R 1 " | 110 | 407 |
| LFT-4.180.5600.KK.1 | 320 | 65 | 70 | 206 | 65 | 246 | 180 | 240 | 60 | 60 | 343 | 1835 | R 1 " | 114 | 418 |
| LFT-4.180.5800.KK.1 | 320 | 65 | 70 | 206 | 65 | 246 | 180 | 240 | 60 | 60 | 343 | 1885 | R 1 " | 118 | 430 |
| LFT-5.180.4975.KK.1 | 320 | 65 | 70 | 206 | 65 | 246 | 180 | 240 | 60 | 60 | 343 | 1385 | R 1 " | 89 | 336 |
| LFT-5.180.5225.KK.1 | 320 | 65 | 70 | 206 | 65 | 246 | 180 | 240 | 60 | 60 | 343 | 1435 | R 1 " | 94 | 348 |
| LFT-5.180.5475.KK.1 | 320 | 65 | 70 | 206 | 65 | 246 | 180 | 240 | 60 | 60 | 343 | 1485 | R 1 " | 102 | 358 |
| LFT-5.180.5725.KK.1 | 320 | 65 | 70 | 206 | 65 | 246 | 180 | 240 | 60 | 60 | 343 | 1535 | R 1 " | 103 | 370 |
| LFT-5.180.5975.KK.1 | 320 | 65 | 70 | 206 | 65 | 246 | 180 | 240 | 60 | 60 | 343 | 1585 | R 1 " | 107 | 384 |
| LFT-5.180.6225.KK.1 | 320 | 65 | 70 | 206 | 65 | 246 | 180 | 240 | 60 | 60 | 343 | 1635 | R 1 " | 112 | 400 |

KK TYPE TELESCOPIC CYLINDER



| ROD DIAMETER (mm) | THRUST FORCE (Ton) |
|-------------------|--------------------|
| Ø230 | 79 |
| Ø205 | 62,7 |
| Ø180 | 48,3 |
| Ø155 | 35,8 |
| Ø135 | 27,2 |
| Ø115 | 19,7 |
| Ø95 | 13,4 |
| Ø75 | 8,3 |
| Ø55 | 4,5 |

- Çalışma Basıncı / Working Pressure : 190 Bar
- Maksimum Çalışma Basıncı / Maximum Working Pressure : 200 Bar
- Renk / Paint : Ral 9005
- Tüm kademeler sert krom kaplıdır / All stages are hard-chrome plated.
- Silindir boruları EN 10305-1 e göre soğuk çekme St-52 E355+SR sertifikalıdır / All cylinder tubes are St-52 E355+SR cold drawn steel tube according to EN 10305-1 norm
- Tüm bağlantı parçaları dövme çeliktendir / All connection parts are forging steel

* MONTAJ BOYU / INSTALLATION LENGTH L(+20 mm / +40 mm)

| PRODUCT CODE | A | ØB | C | ØD | ØD1 | ØD2 | E | F | G | H | L | L1 | OIL INLET | OIL VOLUME (LT) | WEIGHT (KG) |
|---------------------|-----|----|----|-----|-----|-----|-----|-----|----|----|-----|------|-----------|-----------------|-------------|
| LFT-5.180.6375.KK.1 | 320 | 65 | 70 | 206 | 65 | 246 | 180 | 240 | 60 | 60 | 343 | 1685 | R 1 " | 114 | 407 |
| LFT-5.180.6500.KK.1 | 320 | 65 | 70 | 206 | 65 | 246 | 180 | 240 | 60 | 60 | 343 | 1735 | R 1 " | 117 | 518 |
| LFT-5.180.6750.KK.1 | 320 | 65 | 70 | 206 | 65 | 246 | 180 | 240 | 60 | 60 | 343 | 1785 | R 1 " | 121 | 432 |
| LFT-5.180.7000.KK.1 | 320 | 65 | 70 | 206 | 65 | 246 | 180 | 240 | 60 | 60 | 343 | 1835 | R 1 " | 126 | 440 |
| LFT-5.180.7250.KK.1 | 320 | 65 | 70 | 206 | 65 | 246 | 180 | 240 | 60 | 60 | 343 | 1885 | R 1 " | 130 | 351 |
| LFT-5.205.4975.KK.1 | 370 | 65 | 75 | 230 | 65 | 273 | 180 | 265 | 60 | 60 | 343 | 1390 | R 1 " | 119 | 407 |
| LFT-5.205.5225.KK.1 | 370 | 65 | 75 | 230 | 65 | 273 | 180 | 265 | 60 | 60 | 343 | 1440 | R 1 " | 125 | 422 |
| LFT-5.205.5475.KK.1 | 370 | 65 | 75 | 230 | 65 | 273 | 180 | 265 | 60 | 60 | 343 | 1490 | R 1 " | 130 | 435 |
| LFT-5.205.5725.KK.1 | 370 | 65 | 75 | 230 | 65 | 273 | 180 | 265 | 60 | 60 | 343 | 1540 | R 1 " | 137 | 448 |
| LFT-5.205.5975.KK.1 | 370 | 65 | 75 | 230 | 65 | 273 | 180 | 265 | 60 | 60 | 343 | 1590 | R 1 " | 143 | 463 |
| LFT-5.205.6225.KK.1 | 370 | 65 | 75 | 230 | 65 | 273 | 180 | 265 | 60 | 60 | 343 | 1640 | R 1 " | 148 | 475 |
| LFT-5.205.6375.KK.1 | 370 | 65 | 75 | 230 | 65 | 273 | 180 | 265 | 60 | 60 | 343 | 1690 | R 1 " | 152 | 490 |
| LFT-5.205.6500.KK.1 | 370 | 65 | 75 | 230 | 65 | 273 | 180 | 265 | 60 | 60 | 343 | 1740 | R 1 " | 155 | 505 |
| LFT-5.205.6750.KK.1 | 370 | 65 | 75 | 230 | 65 | 273 | 180 | 265 | 60 | 60 | 343 | 1790 | R 1 " | 161 | 520 |
| LFT-5.205.7000.KK.1 | 370 | 65 | 75 | 230 | 65 | 273 | 180 | 265 | 60 | 60 | 343 | 1840 | R 1 " | 167 | 543 |
| LFT-5.205.7250.KK.1 | 370 | 65 | 75 | 230 | 65 | 273 | 180 | 265 | 60 | 60 | 343 | 1890 | R 1 " | 173 | 554 |